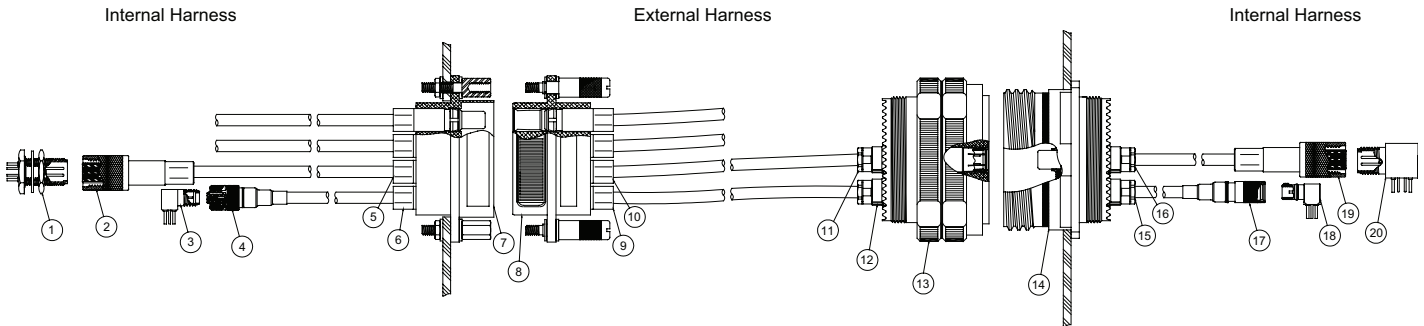




Sabritec System Diagram Examples

High Speed Copper and Fiber Optic System Diagrams

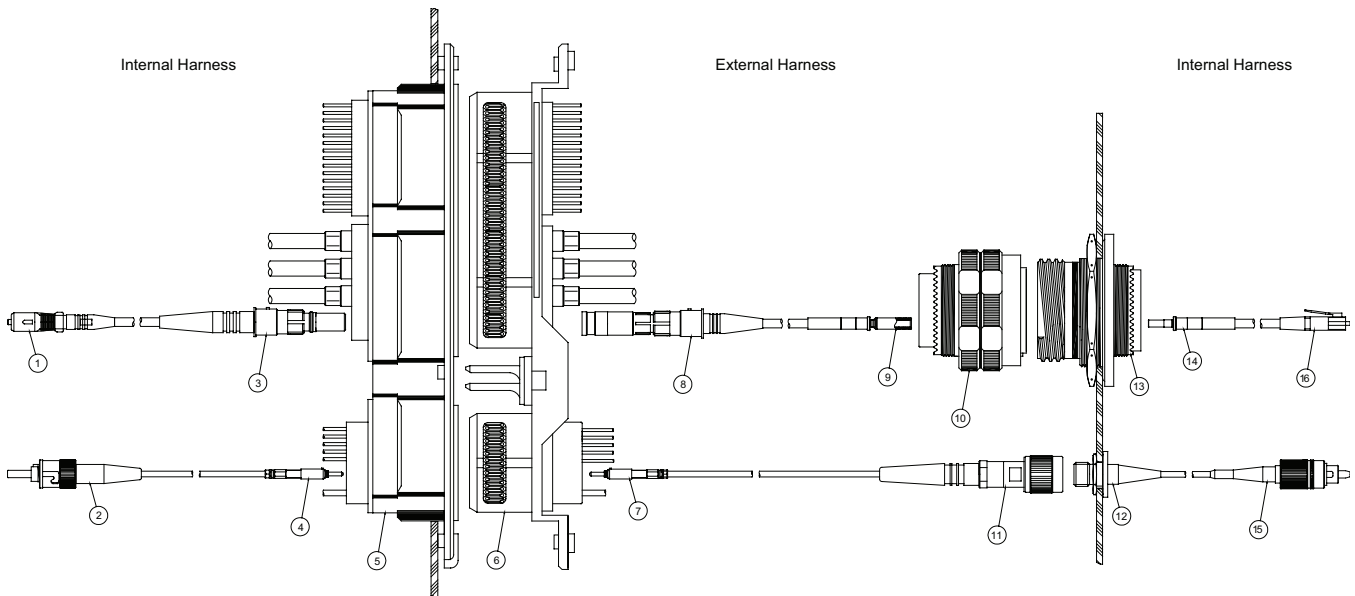
High Speed Quadrx and Twinax System Diagram



	Description	Type	Sabritec P/N
1	100 Ohm Straight Bulkhead Quadrx connector, PCB mount.	Jack	012817-5001
2	100 Ohm Straight Quadrx cable connector.	Plug	012735-2XXX
3	100 Ohm R/A Micro Twinax connector, PCB mount.	Jack	014117-1030
4	100 Ohm Micro Twinax cable connector.	Plug	014034-2XXX
5	#9 Quadrx Cable Contact.	Pin	019235-8XXX
6	#9 Twinax Cable Contact.	Pin	019234-2XXX
7	4 Way Ruggedized D-sub connector.	Receptacle	012800-3XXX
8	4 Way Ruggedized D-sub connector.	Plug	012700-2XXX
9	#9 Twinax Cable Contact.	Socket	019135-0XXX
10	#9 Quadrx Cable Contact.	Socket	019135-8XXX

	Description	Type	Sabritec P/N
11	#8 Quadrx Cable Contact.	Socket	019535-0XXX
12	#8 Twinax Cable Contact.	Socket	019534-0XXX
13	MIL-DTL-38999/26, #25-8, N POL..	Plug	012600-2XXX
14	MIL-DTL-38999/20, #25-8, N POL..	Receptacle	012600-3XXX
15	#8 Twinax Cable Contact.	Pin	019634-0XXX
16	#8 Quadrx Cable Contact.	Pin	019635-0XXX
17	100 ? Straight Quick Connect Micro Twinax Connector.	Plug	014034-2XXX
18	100 ? R/A Quick Connect Micro Twinax Connector, PCB Mount.	Jack	014117-1037
19	100 ? Straight Micro Quadrx cable connector.	Plug	012735-2XXX
20	100 ? R/A Quadrx Connector, PCB Mount.	Jack	012817-1000

Fiber Optic System Diagram



	Description	Type	Sabritec P/N
1	SC Connector	Plug	230533-2XXX
2	ST Connector	Plug	230033-2XXX
3	Size 5 Expanded Beam	Pin	239433-8XXX
4	Size 16 Arinc 801	N/A	238500-8XXX
5	Arinc 600	Receptacle	0176XX-3XXX
6	Arinc 600	Plug	0176XX-2XXX
7	Size 16 Arinc 801	N/A	238500-8XXX
8	Size 5 Expanded Beam	Socket	239333-8XXX

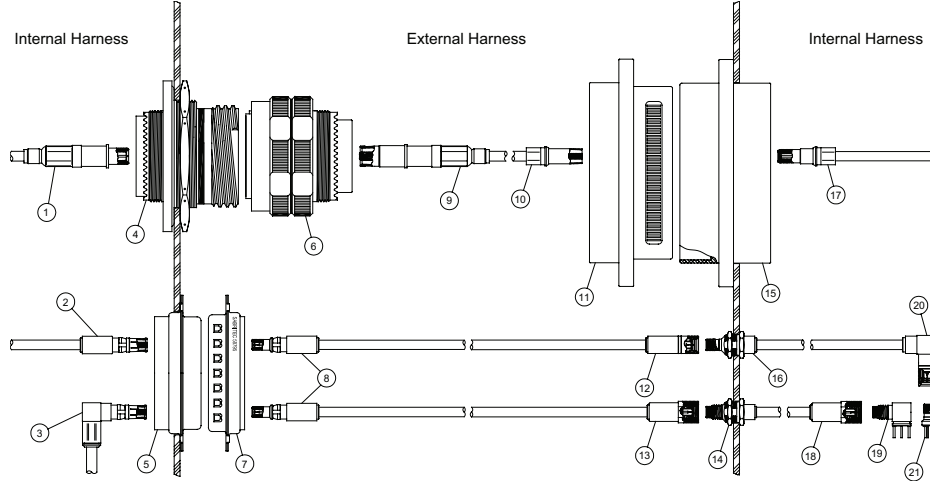
	Description	Type	Sabritec P/N
9	Size 12 Expanded Beam	Socket	238733-8XXX
10	D38999, 21-11 arrangement	Plug	0164XX-2XXX
11	Ruggedized Single Channel	Plug	230533-2XXX
12	Ruggedized Single Channel	Receptacle	230633-3XXX
13	D38999, 21-11 arrangement	Receptacle	0164XX-3XXX
14	Size 12 Expanded Beam	Pin	238633-8XXX
15	FC Connector	Plug	230033-2XXX
16	LC Connector	Plug	239033-2XXX



Sabritec System Diagram Examples

Triaxial and Coaxial System Diagrams

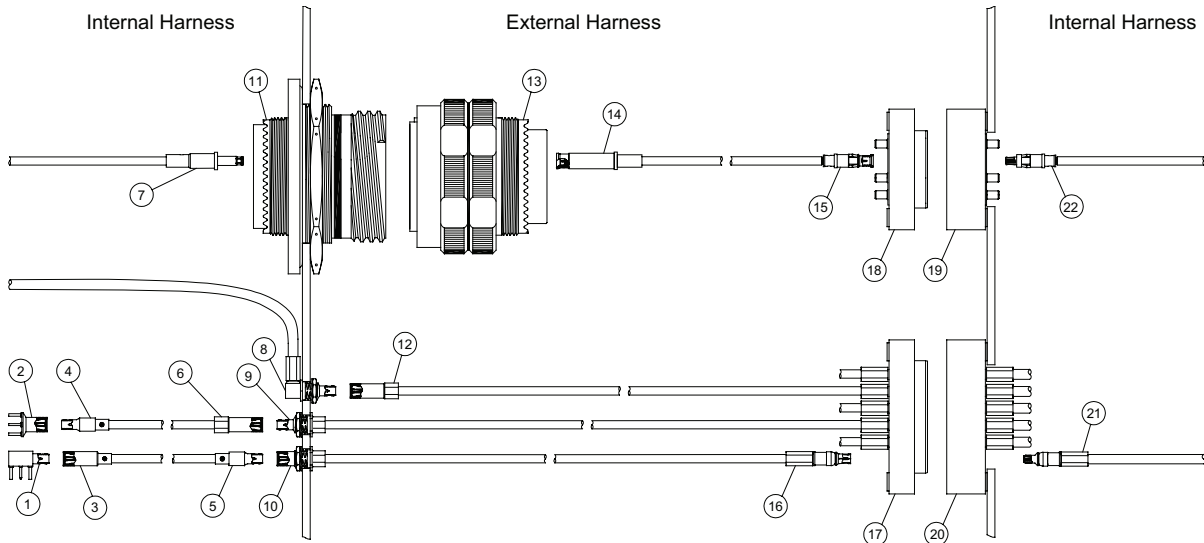
Triaxial System Diagram



	Description	Type	Sabritec P/N
1	#8 Triax Cable Contact for MIL-DTL-38999 Connector	Pin	019612-2XXX
2	#8 Triax Cable Contact for MIL-PRF-24308 Connector	Pin	019812-2XXX
3	R/A #8 Triax Cable Contact for MIL-PRF-24308 Connector	Socket	019712-1XXX
4	MIL-DTL-38999/20, ARR. 21-75	Receptacle	016400-3XXX
5	5W5S D-SUB Connector, SIZE 3	Receptacle	017132-3XXX
6	MIL-DTL-38999/26, ARR. 21-75	Plug	016400-2XXX
7	5W5P D-SUB Connector, SIZE 3	Plug	017131-2XXX
8	#8 Triax Cable Contact for MIL-PRF-24308 Connector	Pin	019812-2XXX
9	#8 Triax Cable Contact for MIL-DTL-38999 Connector	Socket	019512-2XXX
10	#10 Triax Cable Contact	Socket	018912-2XXX
11	7 Way Ruggedized D-sub Connector	Plug	012900-2029

	Description	Type	Sabritec P/N
12	Straight NDL-Q SERIES Cable Connector	Plug	016028-2XXX
13	Straight NDL-T SERIES Cable Connector	Plug	015028-2XXX
14	Straight NDL-T Series Bulkhead Mount Cable Connector	Jack	015128-5XXX
15	7 Way Ruggedized D-Sub Connector	Receptacle	012900-3004
16	Straight NDL-Q Series Bulkhead Mount Cable Connector	Jack	016128-5XXX
17	#10 Triax Cable Contact	Pin	018812-2XXX
18	Straight NDL-T Series Cable Connector	Plug	015028-2XXX
19	R/A NDL-T Series PCB Mount Connector	Jack	015100-1XXX
20	R/A NDL-T Series Cable Connector	Plug	015028-1XXX
21	R/A NDL-Q Series PCB Mount Connector	Jack	016100-1XXX

Coaxial System Diagram



	Description	Type	Sabritec P/N
1	R/A SCX Miniture Coax Connector, PCB mount	Plug	013200-1004
2	SCX Miniture Coax Connector	Receptacle	013100-2036
3	SCX Miniture Coax Cable Connector	Receptacle	013120-2XXX
4	SCX Miniture Coax Cable Connector	Plug	013220-2XXX
5	SCX Miniture Coax Cable Connector	Plug	013220-2XXX
6	SCX Miniture Coax Cable Connector	Receptacle	013120-2XXX
7	#12 Coax cable contact	Pin	018624-8XXX
8	R/A SCX Miniture Coax Cable Connector	Plug	013212-1XXX
9	SCX Miniture Coax Connector, Bulkhead mount	Plug	013220-5XXX
10	SCX Miniture Coax Connector, Bulkhead mount	Receptacle	013109-5XXX
11	MIL-DTL-38999/24, #21-75, N-POL	Receptacle	016400-3XXX

	Description	Type	Sabritec P/N
12	SCX Miniture Coax Cable Connector	Receptacle	013120-2XXX
13	MIL-DTL-38999/24, #21-75, N-POL	Plug	012600-2XXX
14	#12 Coax Cable Contact	Pin	018624-8XXX
15	High Frequency MDHC Coax Cable Connectors	Socket	013109-2XXX
16	MDCX Coax Cable Contact	Socket	019911-3XXX
17	6-0 MDCX Cable Connector	Plug	017300-2XXX
18	4-0 MDHC Cable Connector	Plug	017300-2XXX
19	4-0 MDHC Cable Connector	Receptacle	017300-3XXX
20	6-0 MDCX Cable Connector	Receptacle	017300-3XXX
21	MDCX Coax Cable Contact	Pin	019911-2XXX
22	High Frequency MDHC Coax Cable Connectors	Pin	013209-2XXX